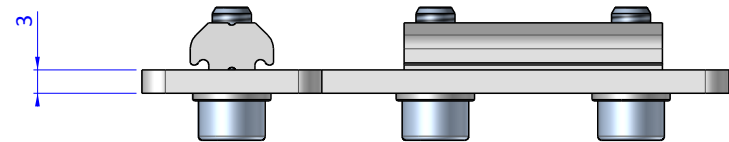
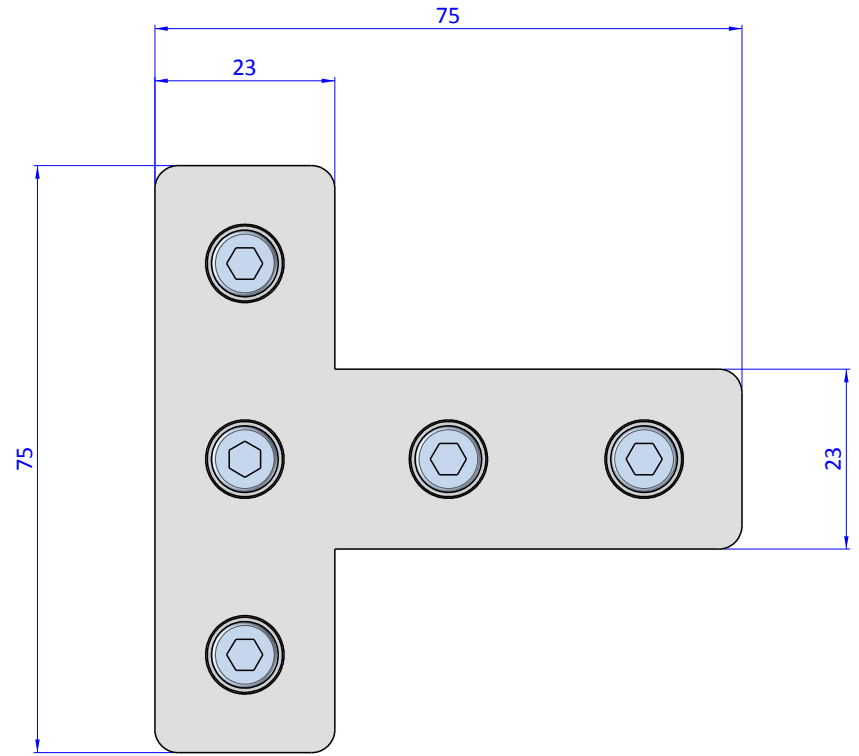
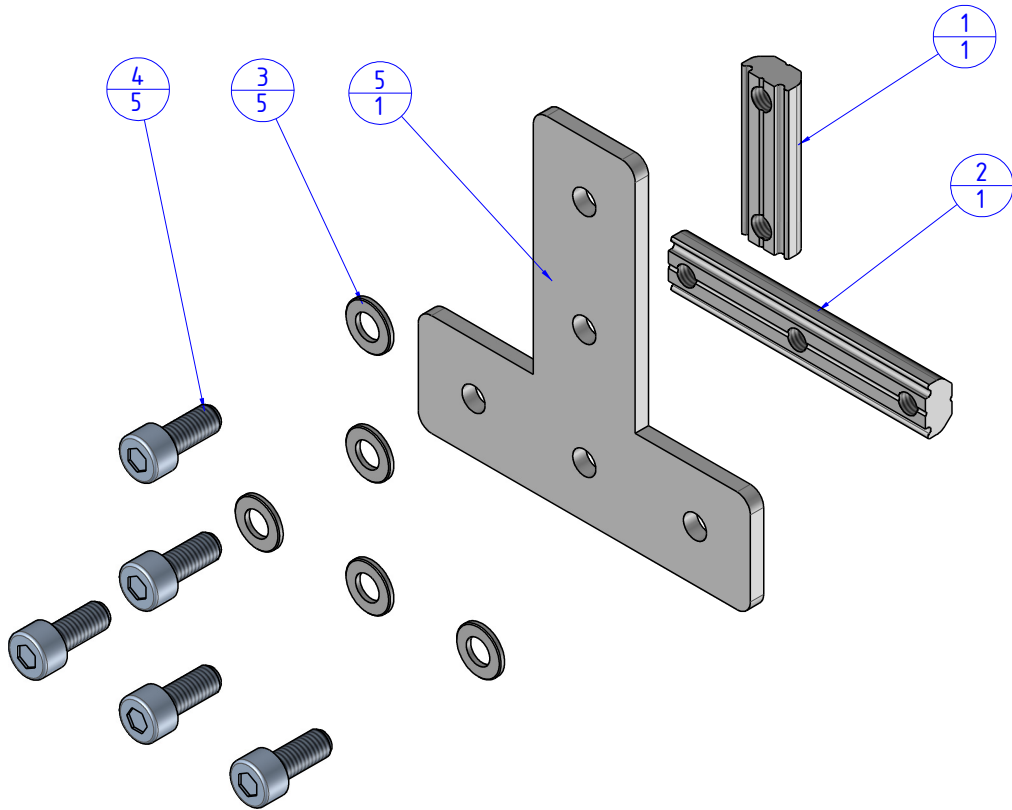


THE PROPERTY OF THE DRAWING IS ESTABLISHED BY LAW. IT IS FORBIDDEN TO PRODUCE OR SHOW IT TO THIRD PARTY, WITHOUT A WRITTEN AGREEMENT.

Item	Name	Qty.
1	CA.GWP.5.25	1
2	CA.GWP.5.25.3	1
3	R.5	5
4	V.TCE5x12	5
5	VBT.75.75	1



Format A3

UNI 936-76

<b>FP SERVICES</b> AUTOMATION		DESIGNED FROM FPSERVICES	REVIEW A
GENERAL TOLERANCE UNI - ISO 2768 CLASSE f	DESCRIPTION CA.VBT.X.50.75	DATE 30/04/2016	WEIGHT 0,123kg
		CODE CA.VBT.X.50.75	